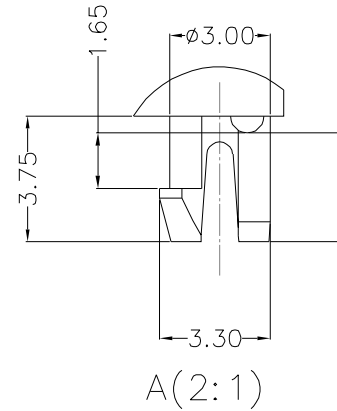
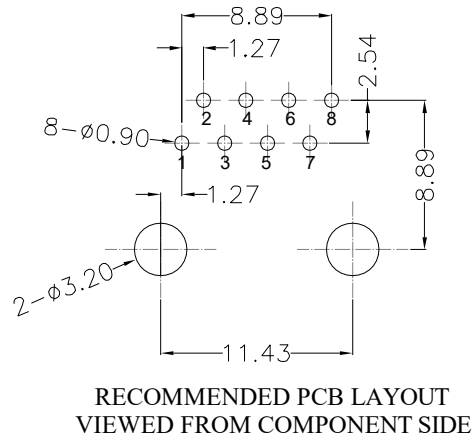
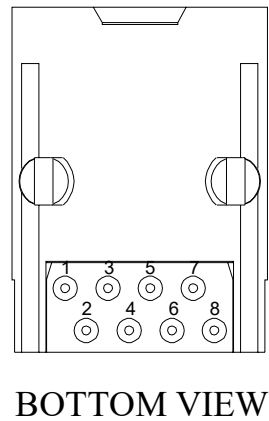
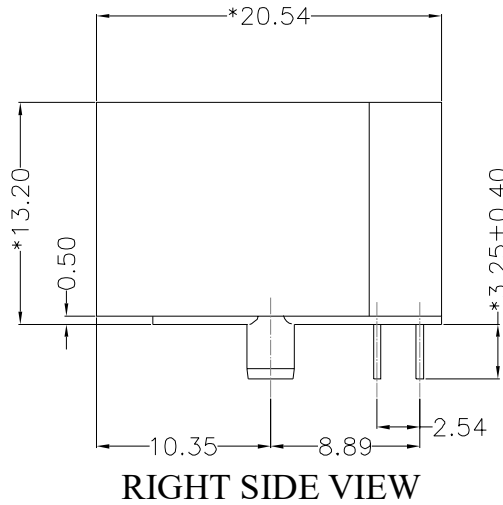
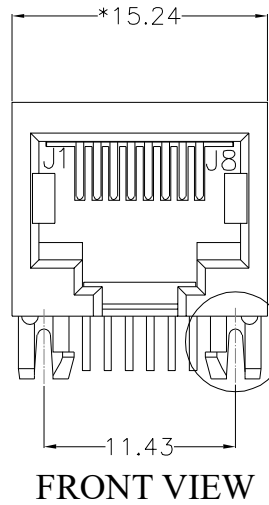


REACH & RoHS
COMPLIANT

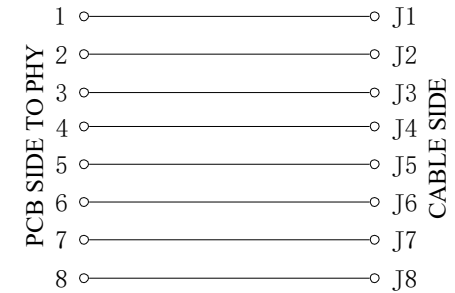
REV.	ECN / DESCRIPTION	BY	DATE
A0	NEW	ZG.Hu	2016.10.19



MATERIAL:
HOUSING: PBT,UL94V-0,BLACK.
TERMINAL: PHOSPHOR BRONZE $\varnothing=0.46\text{MM}$,
G/FU" GOLD PLATING ON CONTACT AREA.

MACHANICAL:
DURABILITY: 750 CYCLES MIN,12.5MM/MINUTE.
INSERTION FORCE: 2.2KG.F MAX.
RETENTION STRENGTH : 7.7KG.F BETWEEN JACK AND PLUG.
OPERATING TEMPERATURE: $-40^{\circ}\text{C}\sim+85^{\circ}\text{C}$.
STORAGE TEMPERATURE: $-40^{\circ}\text{C}\sim+85^{\circ}\text{C}$.
ALL CRITICAL DIMENSIONS WITH "*"

ELECTRICAL:
VOLTAGE: 125 VOLTS AC.
CURRENT RATING : 1.5AMP.
DIELECTRIC STRENGTH: 1000 VAC RMS 50HZ OR 60HZ,1MIN.
INSULATION RESISTANCE: 500 MEGA OHMS MIN. INITIAL
AFTER 500V DC FOR 1 MINUTE.
CONTACT RESISTANCE: SINGLE TERMINAL 30 MILLIOHMS MAX.
INITIAL 50 MILLIOHMS MAX. AFTER
DURABILITY TEST.



DGKYD

东莞市科优达电子科技有限公司
Dong Guan Ke You Da Electronic Tech.Co.,Ltd

ADD: No.1 LiHe Street,LiHeng Village, Qingxi town, DongGuan City,GuangDong Province
Tel:+86-0769-87334608; Fax:+86-0769-87847129 WWW.DGKYD.COM

TITLE:
5921 1X1 8P8C 全塑

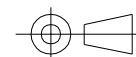
PART NO.:
DGKYD59211188IWA1DY1

REMARK:

SIZE
A4

SACLE
1:1

SHEET
1/1



UNITS
MM[INCH]

GENERAL TOLERANCES UNLESS SPECIFIED	
$x\pm 0.35$	$x^{\circ}\pm 3.0^{\circ}$
$.x\pm 0.30$	$.x^{\circ}\pm 2.0^{\circ}$
$.xx\pm 0.25$	$.xx^{\circ}\pm 1.5^{\circ}$
$.xxx\pm 0.10$	$.xxx^{\circ}\pm 1.0^{\circ}$

APPROVED BY:
JP.Gong

CHECKED BY:
TW.Xu

DESIGND BY:
ZG.Hu